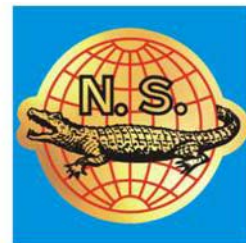


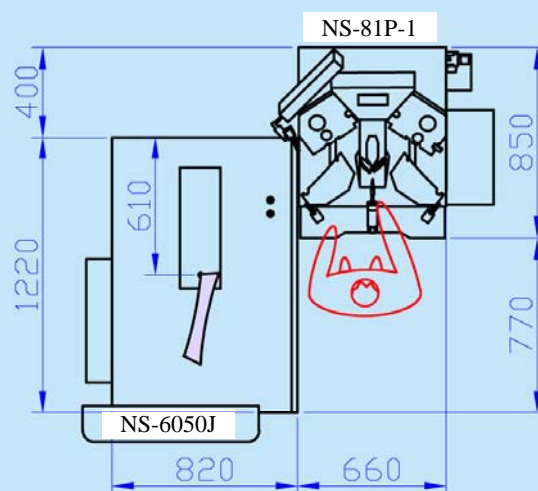
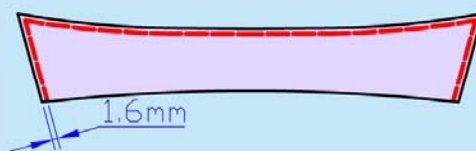
# NS-6050J

## 半自動間領間袖口收料架

### Semi-Automatic Collar and Cuff Topstitching Stacker



	2	3600RPM	DBx1 #11	



- 適用於車縫襯衫尖領及斜角/直角袖口
- 自適應領線對角線功能，間線邊和角齊整一致
- 裝有收料架，可自動疊放領，整齊美觀且效率高
- 操作簡單，適合生手工工人操作，一人可操作多台機器

#### 跟機件：

縫紉機(JUKI DDL-9000B-SS-OB/CP18A)

- Suitable for shirt pointed collar and square-/oblique-angled cuff topstitching
- Adaptive collar diagonal function: the edge of the line is consistent with the angle of lines
- With an automatic collector to stack workpieces orderly and enhance efficiency
- So simple is the operation that unskilled worker can handle it with ease, and one worker can work on multiple machines

#### Standard:

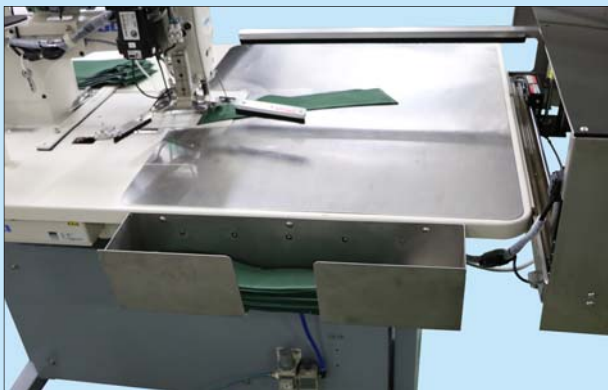
Sewing head (JUKI DDL-9000B-SS-OB/CP18A)



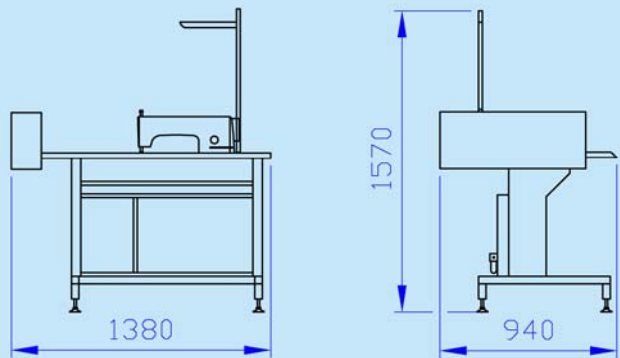
開始縫紉 Start sewing



縫紉中 In sewing

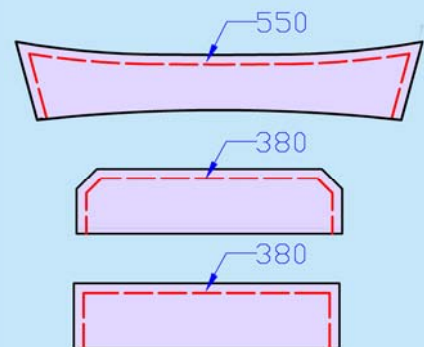


收料盒 Collecting box



機身尺寸 Machine size

- 針距 Stitch Length(mm):** 1.7
- 車速 Speed(RPM):** 3200
- 產量 Output(pcs/hr):**
  - 領 Collar:** 180
  - 六角袖口 Hexagonal cuff:** 140
  - 方角袖口 Square cuff:** 200



以上尺寸為實際車縫軌跡長度  
Above dimensions are the actual length of sewing route

型號 Model	適用衣車頭機型 Applicable Sewing Head Model	電源 Power Supply	總功率(kW) Total Power	最大轉角值(°) Max. Processable Collar Corner	車縫領最長(mm) Max. Processable Collar Length	間線邊框距離 (mm) Stitch-Edge Distance	壓縮空氣壓力 (kgf/cm <sup>2</sup> ) Compressed Air Pressure	耗壓縮空氣量 (L/min) Compressed Air Consumption	機身尺寸(mm) Machine Size
NS-6050J	JUKI DDL-9000B	1PH/220V/50Hz	1	130	540	1.6~6.4	5	15	1380x940x1570



**藝誠(余氏)發展有限公司**  
**Ngai Shing Development Limited**

香港九龍長沙灣永康街52號地下  
G/F., 52 Wing Hong St.,  
Cheung Sha Wan, Kln., Hong Kong.

Tel: (852) 2741 9981, 2742 0078 E-MAIL: info@ngaishing.com  
Fax: (852) 2785 3149 Http://www.ngaishing.com